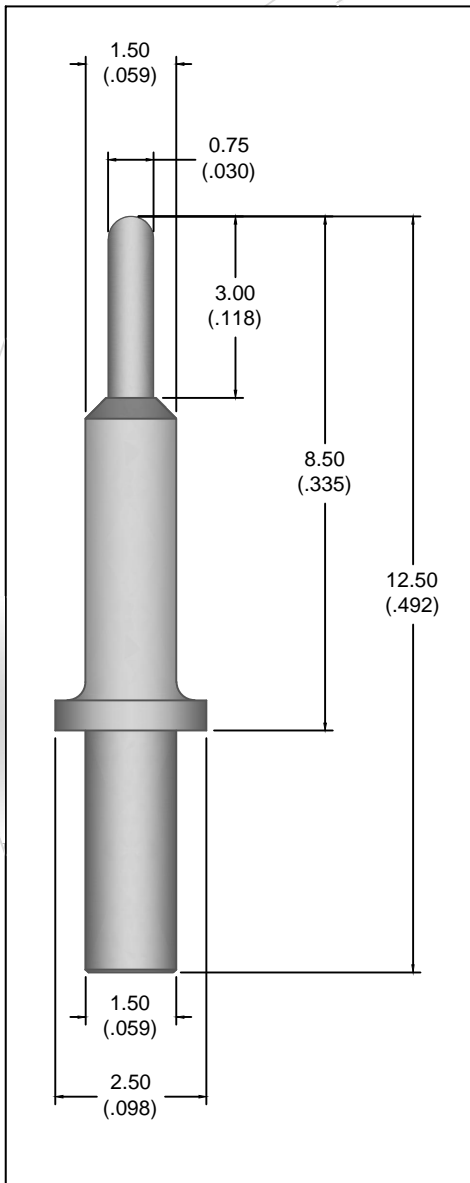


BP 7

**2.70 (.106)
CENTERS**

**2.80 (.110)
PLUNGER TRAVEL**

Dimensions in mm (inches)



TECHNICAL DATAS

Minimum centers	2.70 mm (.106)
Full travel	2.80 mm (.110)
Rated stroke	1.86 mm (.073)
Probe resistance	<40 MOhm
Operating temperature	-55°C/+105°C (-67°F/+221°F)
Current rating	5 AMP
Spring force	25 gr. (0.88oz) 40 gr. (1.41oz) 80 gr. (2.82oz)

MATERIALS AND FINICHES

Plunger	Copper alloy, Hard Gold plated
Barrel	Brass, Hard Gold plated
Spring	Music wire, Gold plated

HOW TO ORDER

MODEL	HEAD	HEAD DIA	SPRING FORCE 2/3 TRAVEL	TREATMENT
BP 7	C	0.75	40	H