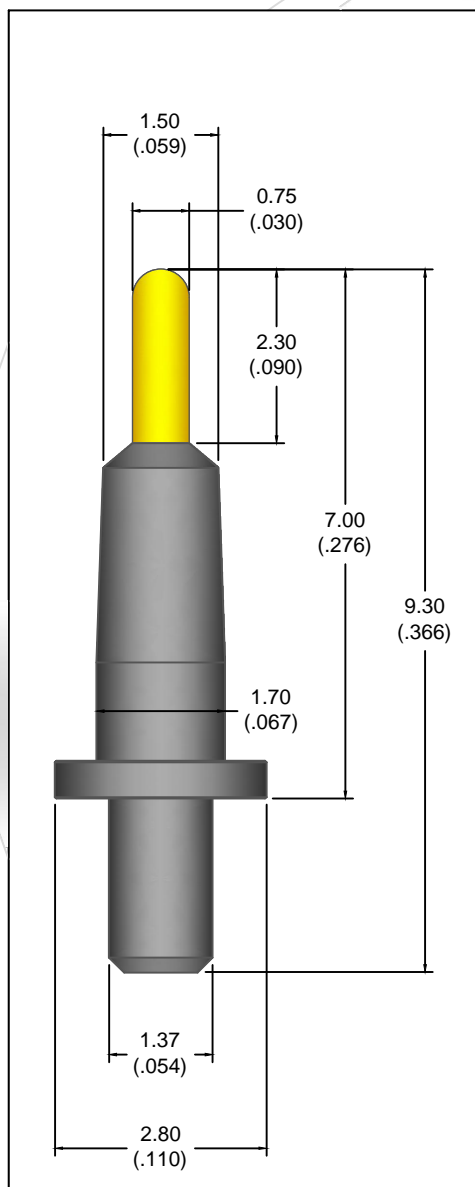


**BP 3**

**3.18 (.125)  
CENTERS**

**2.30 (.090)  
PLUNGER TRAVEL**

Dimensions in mm (inches)



**TECHNICAL DATAS**

Minimum centers	3.18 mm (.125)
Full travel	2.30 mm (.090)
Rated stroke	1.52 mm (.060)
Probe resistance	<50 MOhm
Operating temperature	-55°C/+105°C (-67°F/+221°F)
Current rating	2 AMP
Spring force	40 gr. (1.41oz) 80 gr. (2.82 oz)

**MATERIALS AND FINICHES**

Plunger	Copper alloy, Gold plated
Barrel	Nickelsilver
Spring	Stainless steel

**HOW TO ORDER**

MODEL	HEAD	HEAD DIA	SPRING FORCE 2/3 TRAVEL	TREATMENT
BP 3	C	0.75	40	G