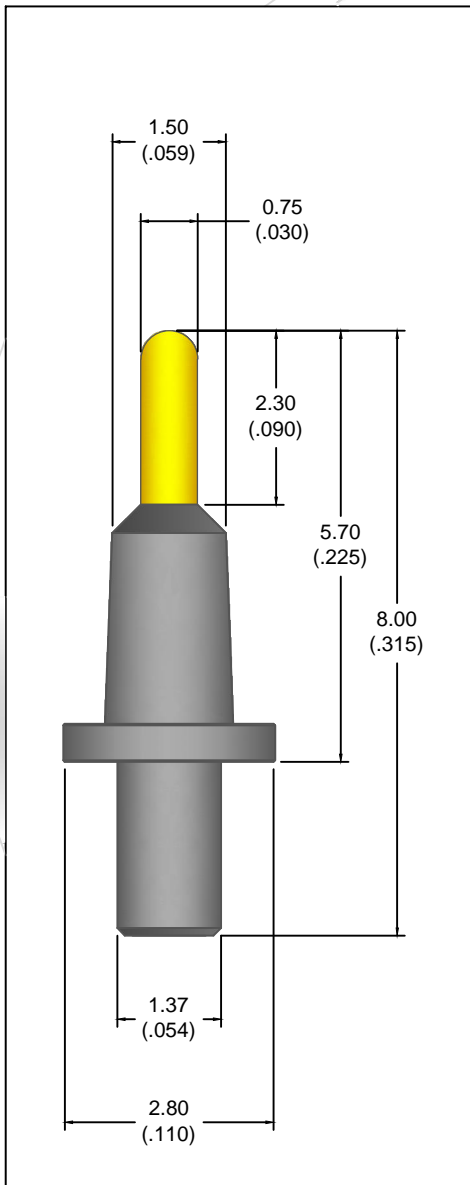


BP 1

**3.18 (.125)
CENTERS**

**2.30 (.090)
PLUNGER TRAVEL**

Dimensions in mm (inches)



TECHNICAL DATAS

| | |
|-----------------------|-----------------------------|
| Minimum centers | 3.18 mm (.125) |
| Full travel | 2.30 mm (.090) |
| Rated stroke | 1.52 mm (.060) |
| Probe resistance | <50 MOhm |
| Operating temperature | -55°C/+105°C (-67°F/+221°F) |
| Current rating | 2 AMP |
| Spring force | 80 gr (2.82 oz) |

MATERIALS AND FINICHES

| | |
|---------|---------------------------|
| Plunger | Copper alloy, Gold plated |
| Barrel | Nickelsilver |
| Spring | Stainless steel |

HOW TO ORDER

| MODEL | HEAD | HEAD DIA | SPRING FORCE 2/3 TRAVEL | TREATMENT |
|-------|------|----------|-------------------------|-----------|
| BP 1 | C | 0.75 | 80 | G |