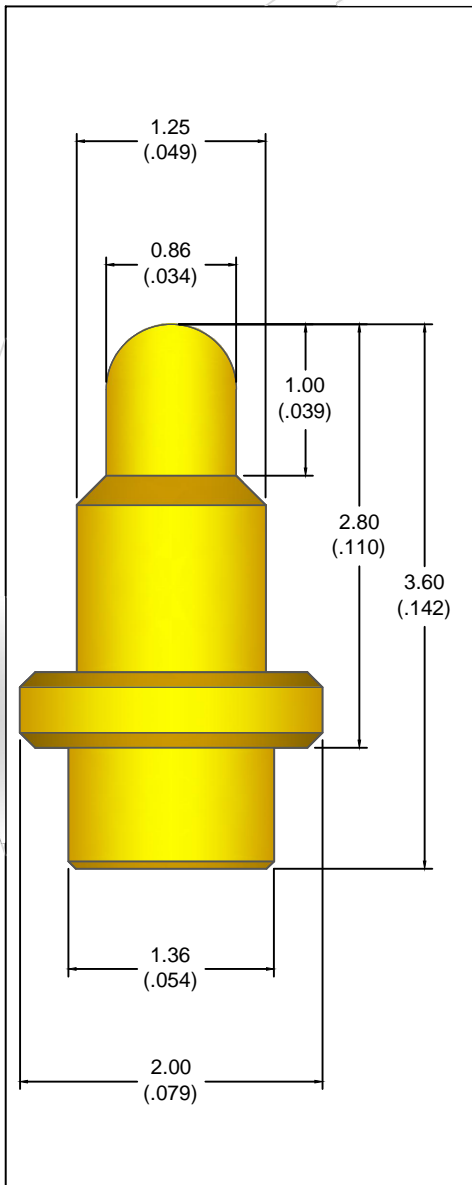


BP 0

**2.54(.100)
CENTERS**

**1.00(.039)
PLUNGER TRAVEL**

Dimensions in mm (inches)



TECHNICAL DATAS

Minimum centers	2.54 mm (.100)
Full travel	1.00 mm (.039)
Rated stroke	0.70 mm (.028)
Probe resistance	50 MOhm
Operating temperature	-55°C/+105°C (-67°F/+221°F)
Current rating	2 AMP
Spring force	40 gr

MATERIALS AND FINICHES

Plunger	Copper alloy, Gold plated
Barrel	Copper alloy, Gold plated
Spring	Stainless steel

HOW TO ORDER

MODEL	HEAD	HEAD DIA	SPRING FORCE 2/3 TRAVEL	TREATMENT
BP 0	C	0.86	40	G